



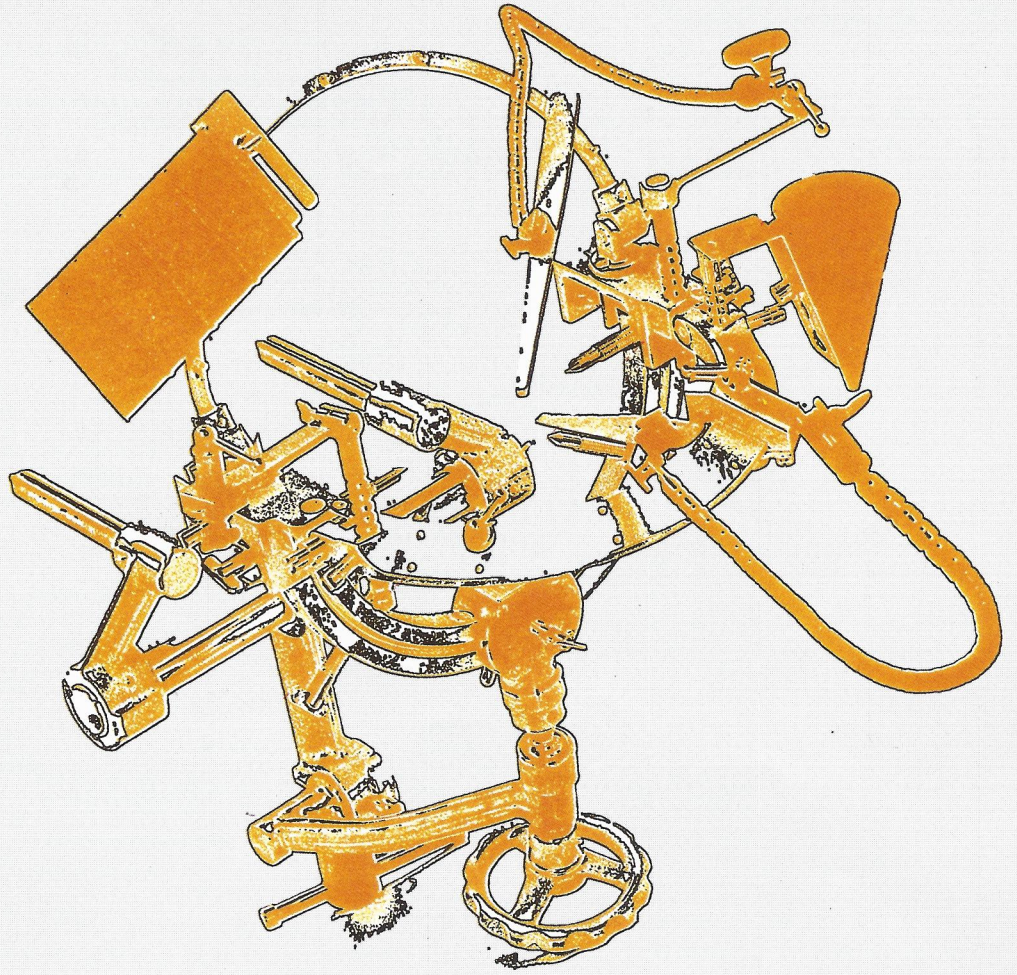
PANAMEDICAL



LINHA DE PRODUTOS

DÚVIDAS E ORÇAMENTOS

comercial@panamedical.com.br | 11 23441900

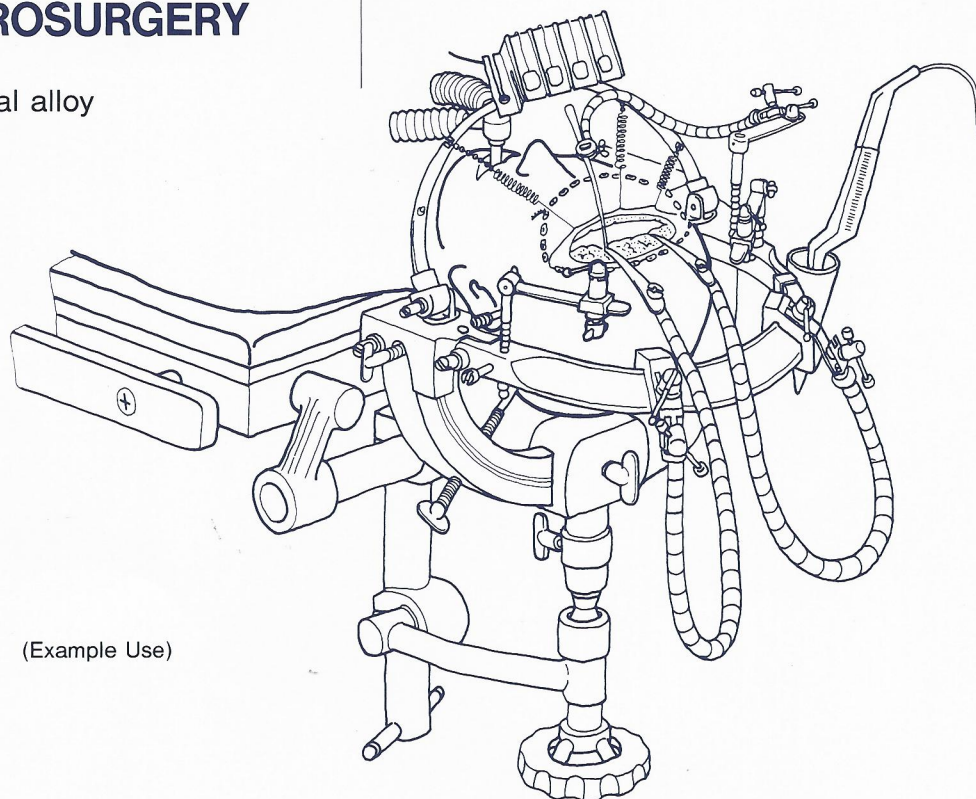


SUGITA

MULTI-PURPOSE HEAD FRAME
FOR MICRONEUROSURGERY

MULTI-PURPOSE HEAD FRAME FOR MICRONEUROSURGERY

Made of light-weight metal alloy
Devised by Dr.Sugita



(Example Use)

The multi-purpose Head Frame has been devised as an auxiliary operating device in microneurosurgery. The device positively fixes a patient's head during the operation.

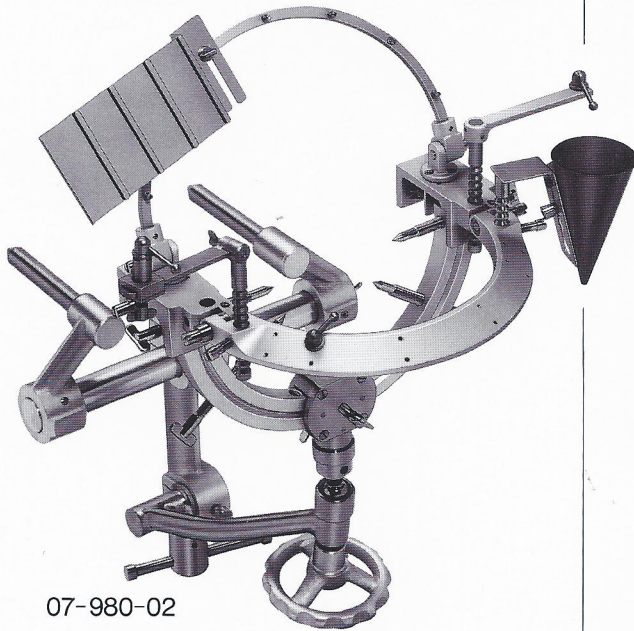
Head Frame Assembly

The Basal Frame is mounted on top of a Head Holder over the sterile drapes. The Basal Frame has five separate positions spaced at 35° angles where self-retaining retractors may be attached using thumb screws. At each end of the Basal Frame are two holes to support the Hand Rests and Instrument Receptacle. The angle and height of the Hand Rests are adjustable to suit each individual surgeon. The Insulated Instrument Receptacle is attached at one of the holes on the end of the Basal Frame and may be used to retain bipolar forceps, hemostatic forceps, suction tubes or other micro-surgery instruments. The semi-circular Bar mounted on the Basal Frame is used to attach the Scalp Hooks, Cotton Plate or, at times, a self-retaining retractor.

Head Holder (H)

The patient's head is secured in the Head Holder using 3 or 4 head pins. It provides a very rigid and stable fixation and may be used for all body positions. The angle of the patient's head may be easily adjusted by the surgeon, during surgery if required.

●07-980-02 MULTI-PURPOSE HEAD FRAME COMPLETE SET



07-980-02



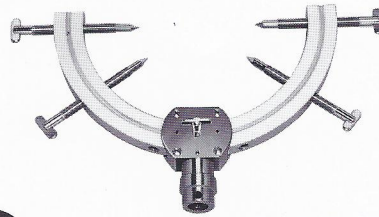
07-981-02

Basal Frame/Semi-Circular Frame

07-955-01 Slide Adjustor For Retractor(2 pcs/set)

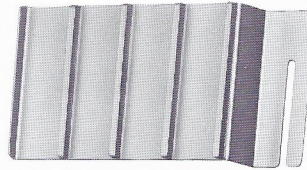


The slide adjustor allows the precise adjustment of a self-retaining retractor attached to the semi-circular basal frame.



07-951-00

Head Holder W/4 Head Pins, Short Tip For Adult



07-981-07

Cotton Plate



07-981-06

Instrument Receptacle



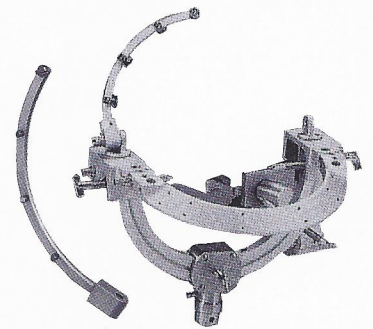
07-954-00

Spring Scalp Hook Retractors(6 pcs/set)



07-952-00

Table Attachment



07-981-10 Quarter Frame

Quarter Frame

07-981-10

Quarter Frame is for getting and maintaining sufficient room for operator conducting lateral approaches, particularly lateral suboccipital approach for acoustic neurinoma.



Hand Rest

07-981-03



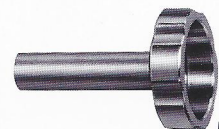
07-981-04

Adjustable Hand Rest With Dome Screw



07-981-09

Adjustable Hand Rest With Slider

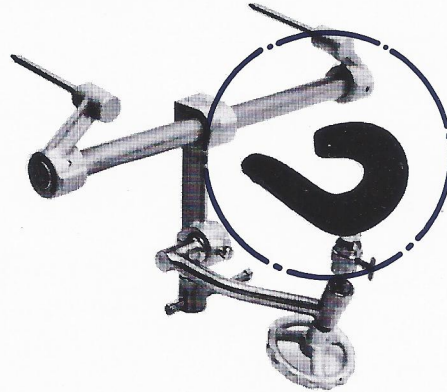


P-027

Handle(2 pcs/set)

ACCESSORIES

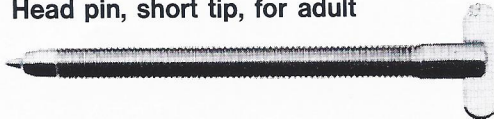
08-073-03~04
U-shaped head rest, L, S



07-951-01
Head pin, standard



07-951-02
Head pin, short tip, for adult



07-951-03
Head pin, short tip, for Pediatric



07-955-00
Universal Attachment



07-955-01
Slide Adjustor For Retractor

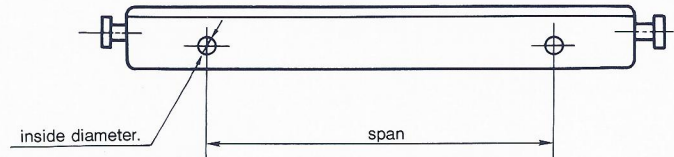


The slide adjustor allows the precise adjustment of a self-retaining retractor attached to the semi-circular basal frame.

08-075-10
Mayfield adaptor



Pin holes for inserting head board of operating table.



Note. When ordering the multi-purpose head frame II, please advise the inside diameter of the pin holes of the operating table and span between the holes.

Our Standard Size
Span: 277 - 395mm
Pin Hole dia.: 12mm

HEAD FRAME SET DESCRIPTION

07-980-02	MULTI-PURPOSE HEAD FRAME TYPE II
07-980-06	BASAL FRAME WITH ADCESSORIES
07-981-02	BASAL FRAME / SEMI-CIRCULAR FRAME
07-981-03	HAND REST
07-981-04	ADJUSTABLE HAND REST WITH DOME SCREW
07-981-09	ADJUSTABLE HAND REST WITH SLIDER
07-981-06	INSTRUMENT RECEPTACLE
07-954-00	SPRING SCALP HOOK RETRACTORS (6PCS/SET)
07-981-07	COTTON PLATE
07-981-10	QUARTER FRAME
07-955-01	SLIDE ADJUSTOR(2 pcs/set)
07-951-00	HEAD HOLDER W/4 HEAD PINS SHORT TIP FOR ADULT
07-952-00	TABLE ATTACHMENT

OPTIONAL ACCESSORIES

07-951-01	HEAD PIN, STANDARD
07-951-02	HEAD PIN SHORT TIP, FOR ADULT
07-951-03	HEAD PIN SHORT TIP, FOR PEDIADRIC
07-174-21	SELF RETAINING RETRACTOR, 37cm
07-174-22	SELF RETAINING RETRACTOR, 42cm
07-174-23	SELF RETAINING RETRACTOR, 24cm
07-956-01	SOFT SPATULA, L, 6mm TIP
07-956-02	SOFT SPATULA, M, 4mm TIP
07-956-03	SOFT SPATULA, S, 2mm TIP
07-955-00	UNIVERSAL ATTACHMENT
08-073-03	U-SHAPED HEAD REST, L
08-073-04	U-SHAPED HEAD REST, S

MIZUHO

TM

2003.02.1000TP TBS



PANAMEDICAL
Emoção a cada encontro

PANAMEDICAL SISTEMAS LTDA.

Rua Borges Lagoa, 423 - V. Clementino
04038-030 - São Paulo - SP - Brasil
panamedical@panamedical.com.br
www.panamedical.com.br

Tel.: (11) 5575-7844

Fax: (11) 5575-2953

Mizuho Medical Co., Ltd.

IC N Bldg. 5F, 2-27-17,

Hongo, Bunkyo-ku,

Tokyo 113-0033, Japan

Tel : 81-3-3815-7101

Fax: 81-3-3818-1705

Manufacturer

MIZUHO IKAKOGYO CO., LTD.

Tokyo, Japan



PANAMEDICAL SISTEMAS LTDA.
Rua Borges Lagoa, 423
Vila Clementino CEP 04038-030
São Paulo/SP - Brasil
Telefone 11 2344-1900
www.panamedical.com.br

IMPORTADOR E
DISTRIBUIDOR
EXCLUSIVO

NSK

 **MIZUHO**

 **FEATHER**®

 **TOITU**

Mityvac®



CENTRO CIRÚRGICO E NEUROCIRURGIA

comercial@panamedical.com.br
11 2344-1903 | 11 94997-0139

GINECO-OBSTETRÍCIA E MOBILIDADE

comercial.e@panamedical.com.br
11 2344-1905 | 11 98129-0112

ASSISTÊNCIA TÉCNICA

atec@panamedical.com.br
11 2344-1908 | 11 96437-0202